

TECHNICAL DATA SHEET



COLONIAL

Bidet Mixer with Pop-Up Waste

Product Specification

Product Codes & Finishes: K BID C (Chrome)
K BID G (Vintage Gold)

Product Type: Traditional

Construction: Body is of Brass Construction and is designed to conform to BS EN 200

Valve Type: 1/2" standard valves

Supply: Suitable for all plumbing systems

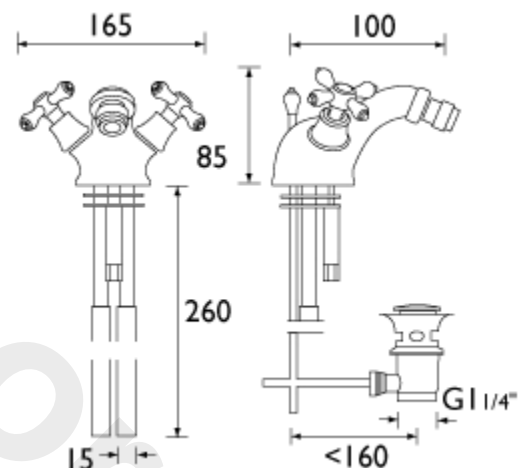
Inlet Connections: M12 x 15mm Screw-in Copper Pipes

Water Pressure: Min 0.2 bar, Max. 8.0 bar



Additional Information

- Supplied with metal heads
- Includes Pop-Up Waste
- Chrome plated to BS EN 248



Flow Rates (litres per minute)

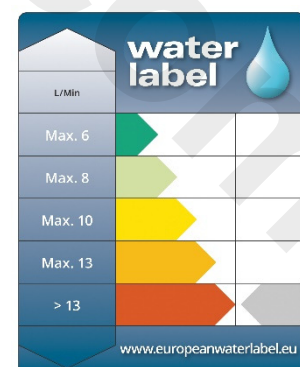
System Pressure	0.2bar	0.5bar	1.0bar	2.0bar	3.0bar	5.0bar
Open Outlet	10.4	17.2	25	35.4	43.3	55.9

Compliance/Approvals

WRAS Approval Nos: 1312911

Technical Advice: For further information please call 0844 7016273 or email customercare@bristan.com

Guarantee: 5 years covering manufacturing faults.



Bristan, Birch Coppice Business Park, Dordon, Tamworth, B78 1SG
Telephone: 0844 701 6274 Facsimile: 0844 701 6275
Web Site: www.bristan.com Email: enquire@bristan.com



The information contained on this page was correct at date of issue. Fitting dimensions are provided as a guide only. Some variation may occur due to manufacturing tolerances. Bristan pursues a policy of continuing improvement in design and performance of its products and so reserves the right to change specifications without prior notice.